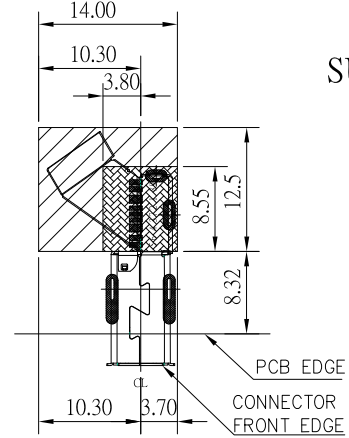
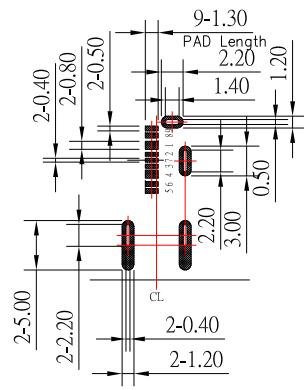
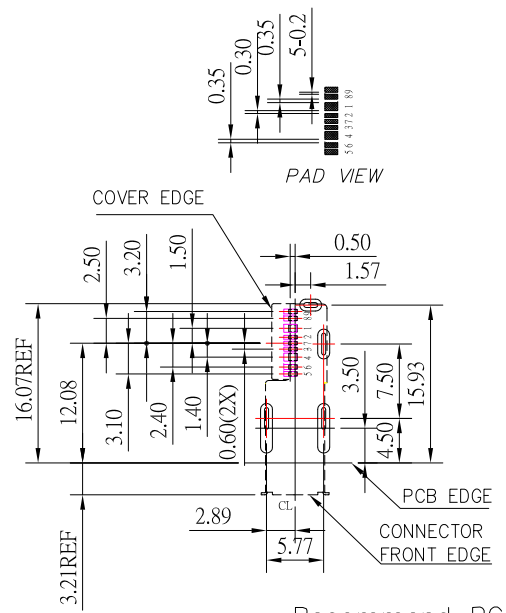
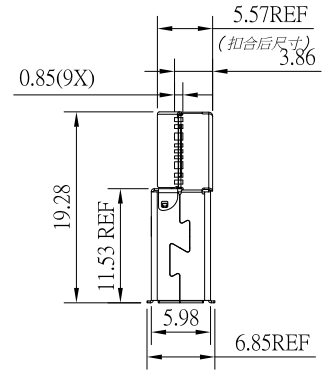




SUA-110PS-32x-S277

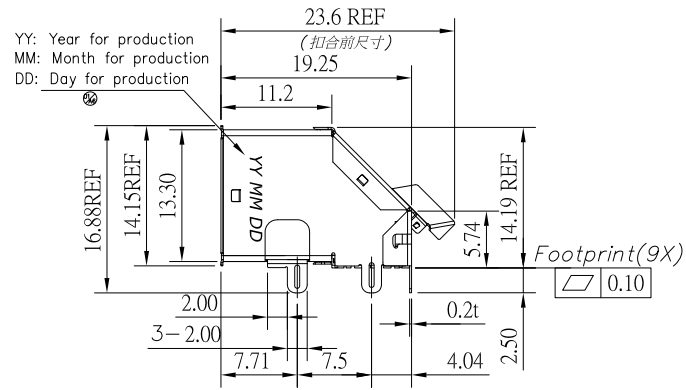
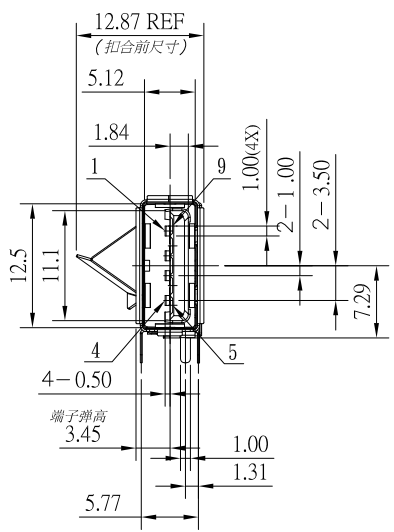
鍍層厚度:

Blank: 1u"
2: 15u"
3: 30u"



Recommend PCB Layout
Top View

- ☐ 扣合前留空区
- ▨ 扣合后留空区
- 焊盘区



YY: Year for production
MM: Month for production
DD: Day for production

Pin No.	Signal Name
1	VBUS
2	D-
3	D+
4	GND
5	StdA_SSRX-
6	StdA_SSRX+
7	GND_DRAIN
8	StdA_SSTX-
9	StdA_SSTX+
Shell	Shield

- NOTE:
- MATERIAL:
 - HOUSING: THERMAL PLASTIC , Blue .
 - CONTACT: PHOSPHOR BRONZE.
 - SHELL: SUS.
 - Finish:
 - CONTACT: PLATED GOLD IN MATING AREA ;
TIN PLATED ON SOLDER BALLS ;
NICKEL UNDER PLATED OVERALL
 - SHELL: NICKEL UNDER PLATED SURFACE LAYER
 - ELECTRICAL CHARACTERISTICS:
 - CONTACT RESISTANCE: 30mΩ MAX (for pin1& pin4) ,
50mΩ MAX (for other contacts)
 - RATING: 1.8 A , 5V
 - DIELECTRIC WITHSTANDING VOLTAGE: 500 VDC
 - INSULATION RESISTANCE 100 MΩ MIN
 - MECHANICAL CHARACTERISTICS:
 - MATING FORCE: 35N MAX;
 - UNMATING FORCE: 10N MIN;

CONTACT 建倚科技股份有限公司
CONTACT TECHNOLOGY CORP.

TOLERANCE UNLESS OTHERWISE STATED:
 Up to 5 ±0.2
 Above 5 ~ 15 ±0.3
 Above 15 ~ 30 ±0.4
 Above 30 ~ 50 ±0.5
 Angle ±0.3

3RD. ANGEL'S

UNITS MM

DRAWN BY:	DATE	MAT'L	TITLE	CONNECTOR
Jack Lu	11/30/21		MODLE	USB A/F 短體立式 SMT GEN 2, 10G
CHECKED BY:	DATE	SCALE	DWG NO.	SUA-110PS-32x-S277
Jacky Chen	11/30/21	1 : 1	PART NO.	SUA-110PS-32x-S277
APPROVED BY:	DATE	SHEET NO.	1 of 1	
Tony Kao	11/30/21			

ITEM NO.	DESCRIPTION	DRAWN	DATE
1	調整尺寸標示位置	Jack	113021